

4

3

2

1

THIS DRAWING IS UNPUBLISHED.

RELEASED FOR PUBLICATION

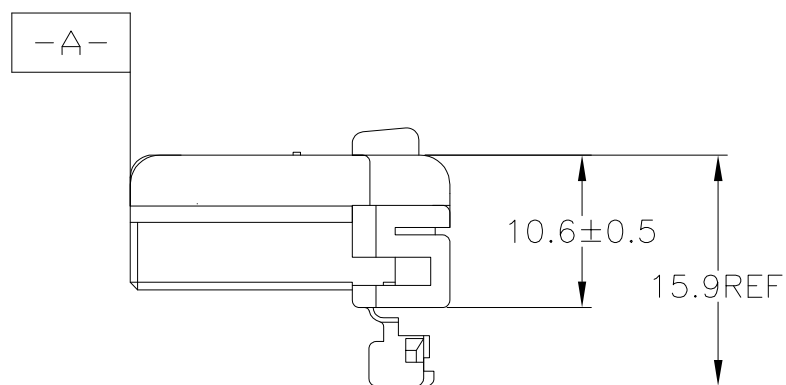
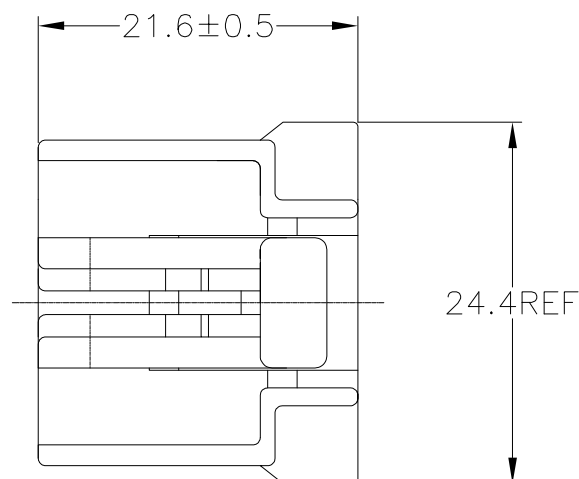
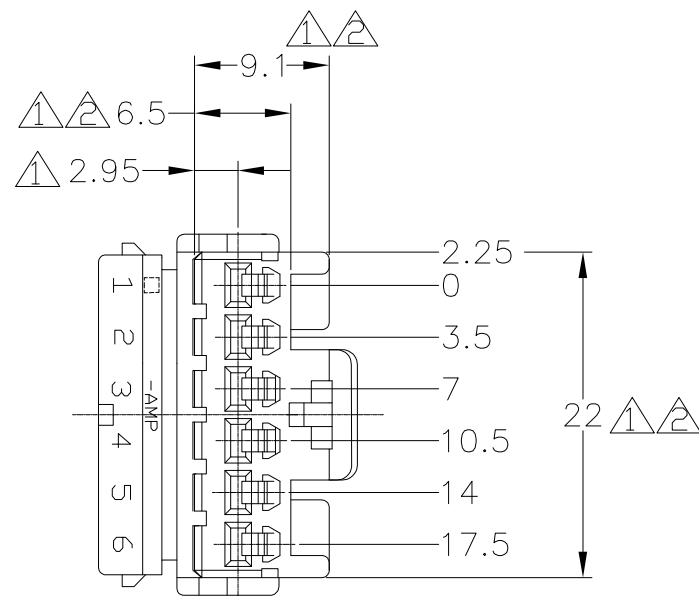
20

© COPYRIGHT 20 BY -

ALL RIGHTS RESERVED.

REVISIONS

P	LTR	DESCRIPTION	DATE	DWN	APVD
	A	REVISED (ECR-16-004410)	24.MAR.16	JM	JW



NOTES

- ▲ MUST BE KEPT BETWEEN -A- AND 2mm
- ▲ TO BE MATED WITH THE CAP HOUSING SMOOTHLY
- 3. APPLIED RECEPTACLE CONTACT PART NUMBER :173630 & 173631
- 4. APPLIED CAP HOUSING :368504

NO.	COLOR/FINISH	MATERIAL	DESCRIPTION	P/N
1	BLACK	PBT	PLUG HSG	368502-2
	NATURAL	PBT	PLUG HSG	368502-1

THIS DRAWING IS A CONTROLLED DOCUMENT.		DWN JM JEON	<b>STE</b> TE Connectivity		
DIMENSIONS: mm		CHK JM JEON			
		TOLERANCES UNLESS OTHERWISE SPECIFIED:		NAME .070 MLC PLUG HSG 6P	
		0 <XX<10 ± 0.2 10<XX<30 ± 0.25 30<XX ± 0.3 ANGLES ± 3°		PRODUCT SPEC -	
MATERIAL SEE TABLE		FINISH -		APPLICATION SPEC -	
		WEIGHT -		SIZE A3	CAGE CODE 00779
		CUSTOMER DRAWING		DRAWING NO C-368502	RESTRICTED TO -
				SCALE 1:1	SHEET 1 OF 1
				REV A	